

Wireless TEMP[®]



Instrument management via networks

Remote Control | Monitoring | Visualization | Documentation



Networking and Remote Control with *WirelessTEMP* by JULABO

Remote control, monitoring, visualization and documentation: JULABO networking solutions and *EasyTEMP* simplify and automate your workflow. JULABO temperature control instruments are comfortably controlled and monitored via PC or Tablet PC. Measurement values are easily recorded, documented and visualized on any PC or Notebook. Laboratory instruments are easily connected via RS232, RS485, Ethernet, or wirelessly.

Strong benefits for more organization

- Increased efficiency by automated workflow
- Comfortable instrument control directly from your workstation
- Instrument control via PC or Tablet PC (Windows® based)
- Numerous possibilities to visualize and record operational data
- Monitoring of instruments without time-consuming inspection rounds
- Economic solution for small and medium laboratories
- Easy to start and operate
- For virtually all JULABO units with RS232 interface
- Compliant with industrial standards like RS485 and Ethernet

Windows is a registered trademark of Microsoft Corporation.

WirelessTEMP product overview



JULABO offers a variety of accessories for the connection and remote control of temperature control instruments.

- 8 980 031 Ethernet / RS232 converter
- 8 980 032 4-Ethernet / RS232 converter
- 8 980 033 8-Ethernet / RS232 converter
- 8 980 034 WLAN / RS232 converter
- 8 980 035 2 Channel WLAN / RS232 converter
- 8 980 036 ATEX Tablet Agile X

Cable options for hard-wired communication.

- 8 980 071 RJ45 cable, 5 m
- 8 980 074 RS232 interface cable, 5 m

WirelessTEMP accessories can be used for various configurations depending on your requirements.



Tip

EASY TEMP

Download the basic software **EasyTEMP** free of charge at www.julabo.com!

WirelessTEMP application solutions

To find the right *WirelessTEMP* application solution for your requirements, answer the following questions while planning your application.

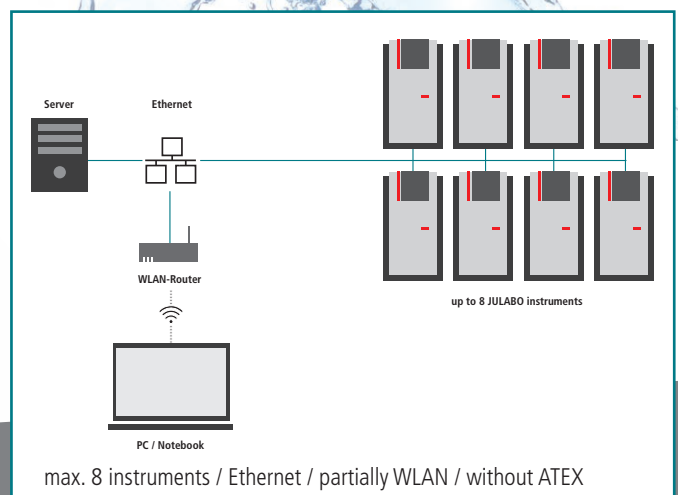
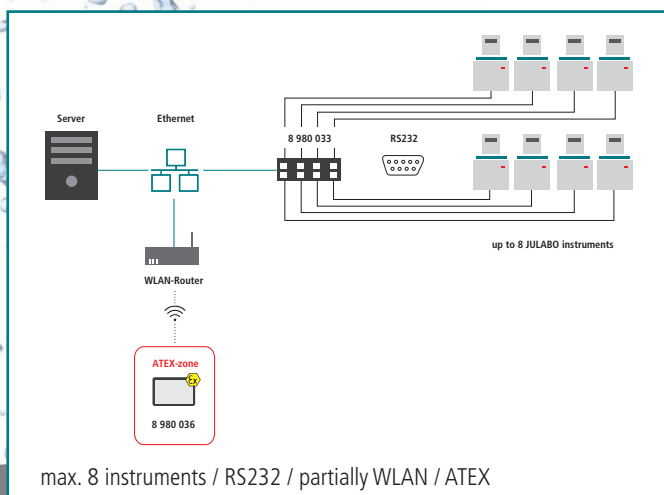
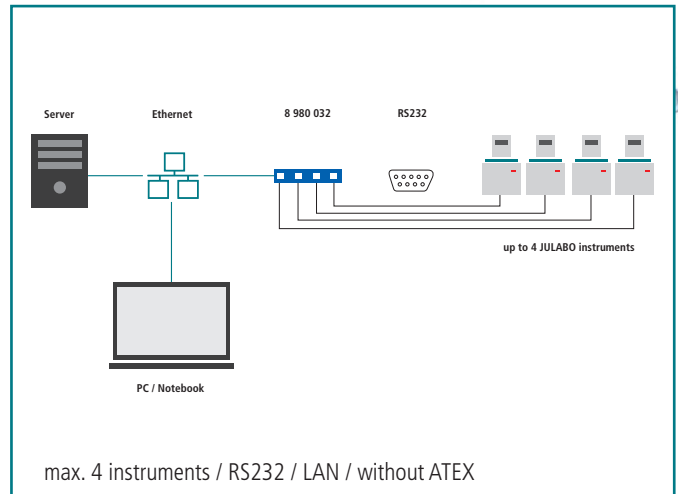
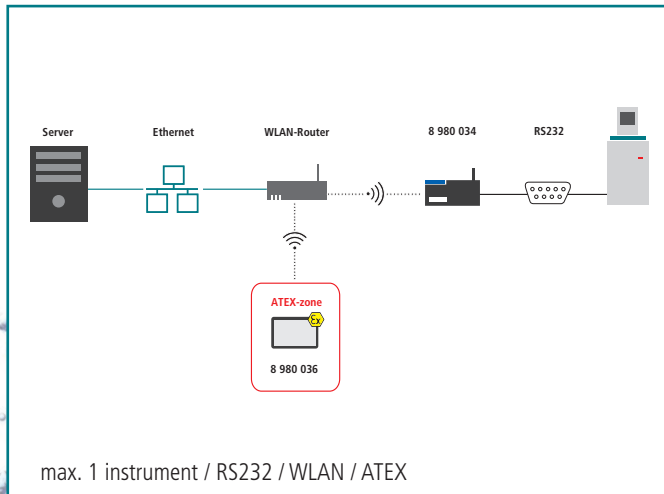
- Question 1** How many JULABO instruments will be networked?
(max. 1 / max. 2 / max. 4 / max. 8)
- Question 2** Which type of interface do my JULABO instruments feature?
(RS232 / Ethernet)
- Question 3** How is the connection set-up?
(via WLAN / partially via WLAN / via LAN)
- Question 4** Do I require an ATEX solution?
(Yes / No)

WirelessTEMP[®]

All *WirelessTEMP* application solutions can be found at www.julabo.com.

We gladly support you in the planning of the connection of your JULABO instruments. +49 (0) 7823 51-190

WirelessTEMP application solutions (exemplary)





GERMANY
Headquarters

JULABO GmbH
Eisenbahnstraße 45
77960 Seelbach
Germany

Tel. +49 (0) 7823 51-0
Fax +49 (0) 7823 24 91
info.de@julabo.com
www.julabo.com

ITALY

JULABO Italia Srl.
www.julaboitalia.it

UK

JULABO UK, Ltd.
www.julabo.com

FRANCE

JULABO France
www.julabo.com

NETHERLANDS

JULABO Nederland B.V.
www.julabo.com

NORTH AMERICA

JULABO USA, Inc.
www.julabo.com

JAPAN

JULABO Japan Co., Ltd.
www.julabo-japan.co.jp

KOREA

JULABO Korea Co., Ltd.
www.julabo-korea.co.kr

CHINA

JULABO Technology (Beijing) Co., Ltd.
www.julabo.com.cn

LATIN AMERICA

JULABO Sudamérica
www.julabo-latinamerica.com

SINGAPORE

JULABO Singapore Pte., Ltd.
www.julabo.com

INDIA

JULABO India
www.julabo.com

**Plus more than
100 partner distributors
worldwide**